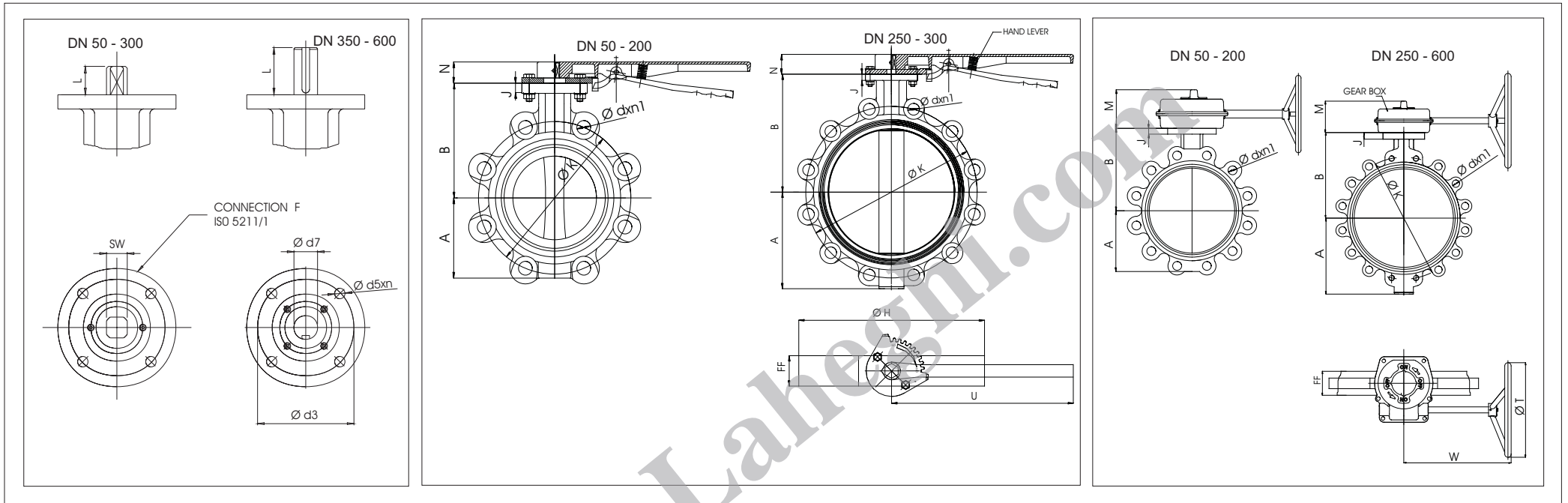


1150 LUG TYPE (THROUGH HOLES) BUTTERFLY VALVE DIMENSIONAL DRAWING



| DN | A | B | FF | Ø H | J | M | N | U | W | Ø T | F | Ød5xn | □ SW Ø d7 | L | Ø d3 | PN 10 | | | PN 16 | | | FREE SHAFT Weight (kg) | HAND LEVER | | GEAR BOX | |
|-------|-----|-----|-----|-----|----|-----|----|-----|-----|-----|----|--------|--------------|----|------|-------|------|----|-------|------|----|---------------------------|------------|-------------|----------|-------------|
| | | | | | | | | | | | | | | | | Ø K | Ø d | n1 | Ø K | Ø d | n1 | | Type | Weight (kg) | Type | Weight (kg) |
| Ø 50 | 61 | 108 | 43 | 130 | 13 | 50 | 37 | 220 | 159 | 200 | 07 | 9x4 | □ 9 | 20 | 70 | 125 | Ø 18 | 4 | 125 | Ø 18 | 4 | 3.5 | 92-150 | 0.6 | 93-100 | 4.0 GG |
| Ø 65 | 73 | 127 | 46 | 154 | 13 | 50 | 37 | 220 | 159 | 200 | 07 | 9x4 | □ 11 | 20 | 70 | 145 | Ø 18 | 4 | 145 | Ø 18 | 4 | 4.0 | 92-150 | 0.6 | 93-100 | |
| Ø 80 | 88 | 132 | 46 | 188 | 14 | 50 | 37 | 260 | 159 | 200 | 07 | 9x4 | □ 14 | 20 | 70 | 160 | Ø 18 | 8 | 160 | Ø 18 | 8 | 5.5 | 92-200 | 0.8 | 93-100 | |
| Ø 100 | 99 | 155 | 52 | 218 | 14 | 50 | 37 | 260 | 159 | 200 | 07 | 9x4 | □ 14 | 20 | 70 | 180 | Ø 18 | 8 | 180 | Ø 18 | 8 | 7.0 | 92-200 | 0.8 | 93-100 | |
| Ø 125 | 108 | 160 | 56 | 234 | 14 | 50 | 37 | 260 | 159 | 200 | 07 | 9x4 | □ 14 | 20 | 70 | 210 | Ø 18 | 8 | 210 | Ø 18 | 8 | 8.0 | 92-200 | 0.8 | 93-100 | |
| Ø 150 | 131 | 185 | 56 | 268 | 14 | 50 | 37 | 350 | 159 | 200 | 07 | 9x4 | □ 17 | 22 | 70 | 240 | Ø 22 | 8 | 240 | Ø 22 | 8 | 10.0 | 92-300 | 0.9 | 93-100 | |
| Ø 200 | 157 | 213 | 60 | 317 | 15 | 50 | 37 | 350 | 159 | 200 | 07 | 9x4 | □ 17 | 22 | 70 | 295 | Ø 22 | 8 | 295 | Ø 22 | 12 | 17.0 | 92-300 | 0.9 | 93-100 | |
| Ø 250 | 190 | 245 | 68 | 393 | 15 | 75 | 47 | 400 | 238 | 260 | 10 | 11x4 | □ 22 | 32 | 102 | 350 | Ø 22 | 12 | 355 | Ø 26 | 12 | 20.0 | 92-400 | 2.6 | 93-200 | 7.5 GG |
| Ø 300 | 218 | 282 | 78 | 446 | 15 | 75 | 47 | 400 | 238 | 260 | 10 | 11x4 | □ 27 | 32 | 102 | 400 | Ø 22 | 12 | 410 | Ø 26 | 12 | 35.0 | 92-400 | 2.6 | 93-200 | |
| Ø 350 | 300 | 318 | 78 | 513 | 28 | 102 | - | - | 315 | 400 | 14 | 17.5x4 | Ø 36 | 75 | 140 | 460 | Ø 22 | 16 | 470 | Ø 26 | 16 | 66.0 | - | - | 93-300 | 29.0 GG |
| Ø 400 | 326 | 362 | 102 | 570 | 28 | 102 | - | - | 315 | 400 | 14 | 17.5x4 | Ø 36 | 75 | 140 | 515 | Ø 26 | 16 | 525 | Ø 30 | 16 | 81.0 | - | - | 93-300 | |
| Ø 450 | 364 | 410 | 114 | 632 | 26 | 102 | - | - | 315 | 400 | 16 | 22x4 | Ø 45 | 92 | 165 | 565 | Ø 26 | 20 | 585 | Ø 30 | 20 | 111.0 | - | - | 93-300 | |
| Ø 500 | 408 | 435 | 127 | 667 | 26 | 102 | - | - | 315 | 550 | 16 | 22x4 | Ø 45 | 92 | 165 | 620 | Ø 26 | 20 | 650 | Ø 33 | 20 | 148.0 | - | - | 93-300 | |
| Ø 600 | 482 | 519 | 154 | 768 | 26 | 102 | - | - | 315 | 600 | 16 | 22x4 | Ø 60 | 92 | 165 | 725 | Ø 30 | 20 | 770 | Ø 36 | 20 | 225.0 | - | - | 93-300 | |